

Features

- Bask® heated surface creates spa-like relaxation with soothing warmth on your back, shoulders, and neck.
- Three heat settings allow you to customize the surface temperature.
- Generous length provides a spacious bathing area.
- Integral lumbar support and armrests offer extra comfort while bathing.

Material

- Acrylic.

Installation

- Reversible drain.
- Undermount.
- Drop-in or undermount.

Recommended Products/Accessories

- K-11677 Bath Drain
- K-1491 Bath/Whirlpool Pillow
- K-1601 Bath/whirlpool footstop, removable
- K-577 Under-Mount Installation Kit
- K-24916 Wireless Music Kit
- K-23726 Drain treatment
- K-23732 Tub & shower cleaner



Codes/Standards

- CSA B45.5/IAPMO Z124
- ASTM E162
- ASTM E662
- UL 1795
- CSA C22.2 No. 218.2



KOHLER® Plastic Baths and Receptors Lifetime Limited Warranty
KOHLER® Hydrotherapy Components Five-Year Limited Warranty

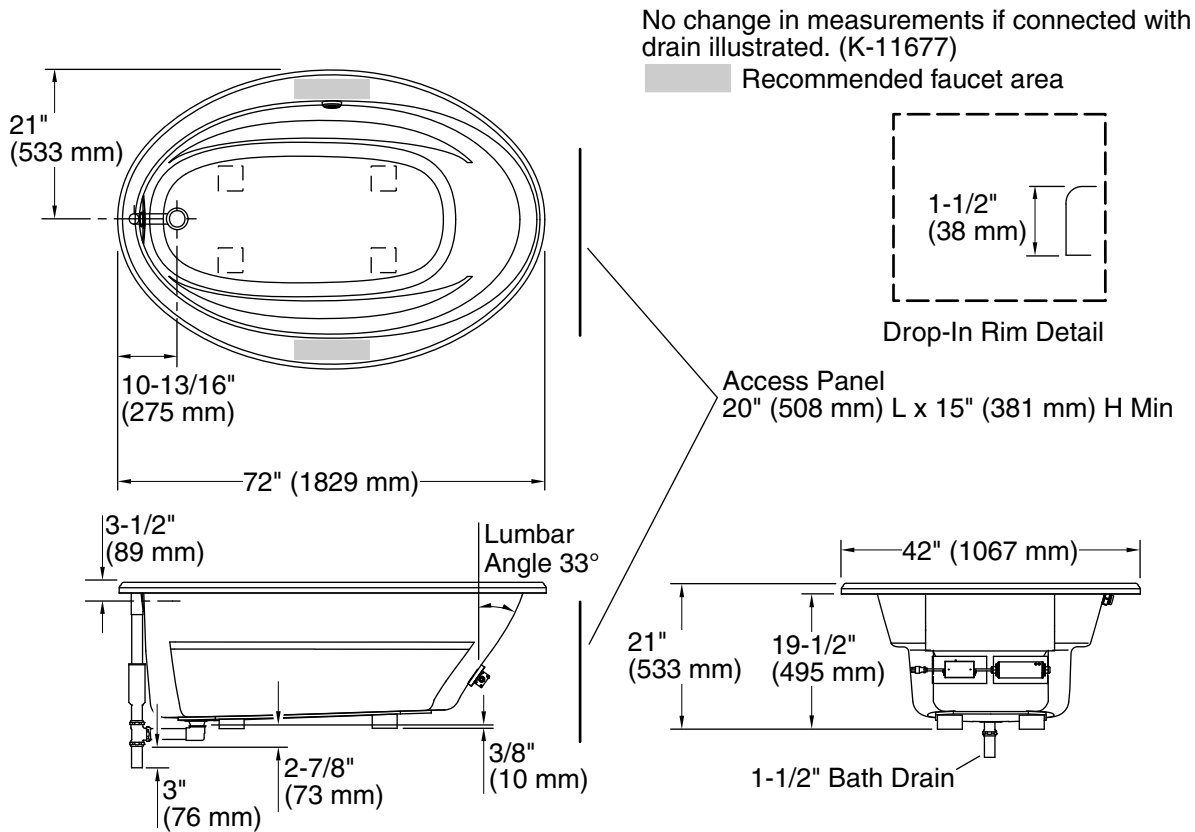
See website for detailed warranty information.

Available Colors/Finishes

Color tiles intended for reference only.

Color	Code	Description
-------	------	-------------

	0	White
	96	Biscuit



Required Electrical Service

One circuit required, protected with Class A Ground-Fault Circuit-Interrupter (GFCI). Outside North America, this device may be known as a Residual Current Device (RCD).

Heated Surface: 120 V, 15 A, 60 Hz

Technical Information

All product dimensions are nominal.

Installation: Drop-in, Under-mount

Drain location: End

Basin area, bottom: 55-1/4" x 23-1/2" (1403 mm x 597 mm)

Basin area, top: 64-1/2" x 32" (1638 mm x 813 mm)

Weight: 75 lbs (34 kg)

Minimum floor load: 36 lbs/ft² (175.8 kg/m²)

Water depth: 15" (381 mm)

Water capacity: 75 gal (283.9 L)

Template: Drop-in, 1042557-7, required, included

Electrical component rating: Heated Surface: 120 V, 0.5 A, 60 Hz, 65 W

Notes

Measure your actual product for rough-in details.

Install this product according to the installation instructions.

The hot water supply should be 70% of the capacity of the bath or greater. Installations will vary.